

Compact radial vane pump with stud bolts

VBB series

**Quick and easy
disassembling and cleaning**

**No tools
required**



Sample usage

Food items

Juice, alcohol, beer, soy sauce, sweet cooking rice wine, liquid sugar syrup, liquid seasonings, soy milk, bittern, soup, and more

Chemical products

Solvents, medicinal solutions, resin, detergents, shampoos, hair conditioners, perfumes, and more

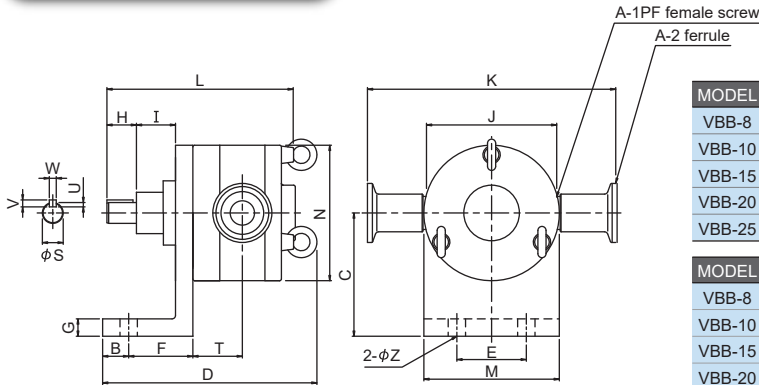
Standard specification

| | VBB-8 | VBB-10 | VBB-15 | VBB-20 | VBB-25 |
|--------------------------------|---------------------------------------------------------------------------|--------|--------|--------|--------|
| Maximum discharge rate (L/min) | 2.5 | 7 | 15 | 30 | 80 |
| Discharge pressure | Max. 0.5 MPa | | | | |
| Rotation speed | Max. 900 rpm (4-pole direct-connection types are inverter controlled.) | | | | |
| Rotation direction | Rotates right when seen from the axis side | | | | |

Main standard component materials

| | |
|---------|------------------------------------------------|
| Housing | Aluminum |
| Casing | SUS316 |
| Vane | Carbon, PTFE, PEEK, Silicon |
| Metal | Carbon, PTFE, PEEK, Ultra high molecular PE |
| Rotor | SUS316 |

External dimensions

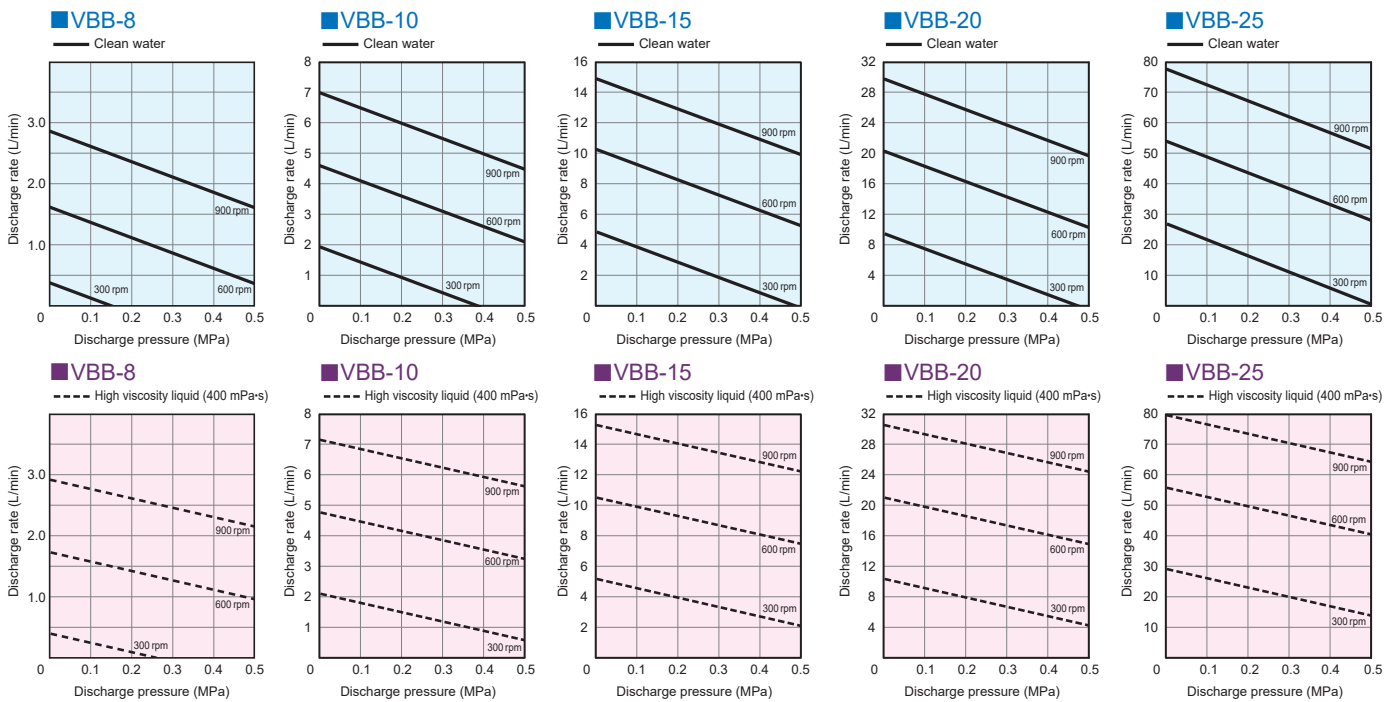


(Unit : mm)

| MODEL | A-1 | A-2 | B | C | D | E | F | G | H | I | J |
|--------|------|-----|----|-----|-------|----|----|----|------|------|-----|
| VBB-8 | 1/4" | 8A | 15 | 71 | 115 | 40 | 35 | 10 | 17 | 20 | 65 |
| VBB-10 | 3/8" | 10A | 15 | 71 | 122 | 40 | 35 | 10 | 17 | 22.5 | 75 |
| VBB-15 | 1/2" | 15A | 15 | 80 | 139 | 52 | 45 | 10 | 22 | 23 | 84 |
| VBB-20 | 3/4" | 1S | 15 | 90 | 156.5 | 77 | 45 | 10 | 27.5 | 36.5 | 114 |
| VBB-25 | 1" | 1S | 15 | 100 | 175 | 84 | 45 | 14 | 27.5 | 32.5 | 131 |

| MODEL | K | L | M | N | S | T | U | V | W | Z |
|--------|-----|-------|-----|-----|----|------|-----|---|---|----|
| VBB-8 | 122 | 112 | 67 | 67 | 10 | 23 | 2.5 | 4 | 4 | 10 |
| VBB-10 | 143 | 121.5 | 78 | 78 | 12 | 28.5 | 2.5 | 4 | 4 | 10 |
| VBB-15 | 150 | 134 | 88 | 88 | 15 | 32 | 3 | 5 | 5 | 10 |
| VBB-20 | 186 | 170.5 | 118 | 118 | 23 | 37 | 4 | 7 | 8 | 10 |
| VBB-25 | 220 | 189 | 136 | 136 | 25 | 45 | 4 | 7 | 8 | 10 |

Performance curve



FUKKO pump
FUKKO KINZOKU Industry Co., Ltd.

Head office and factory:
 2-33 Fukiyacho, Wakayama City, Wakayama Pref. 640-8324
 PHONE +81-73-424-8155 / FAX +81-73-426-0710

Tokyo office:
 3F Shiobe Bldg., 4-9-6 Hacchobori, Chuo Ward, Tokyo 104-0032
 PHONE +81-3-3553-0351 / FAX +81-3-3553-0352

Kokawa Factory:
 PHONE +81-736-73-6161 / FAX +81-736-73-7110

URL ▶ <https://www.fukko.com/>
 E-mail ▶ fukkopump@fukko.com

Visit our web for details.

fukko pump

Search

ISO 9001:2015 Certified business locations: Wakayama HQ and Tokyo Office



*The contents of the catalog are subject to change without notice.
 *No part of this catalog can be copied without prior consent of FUKKO KINZOKU Industry.

Safety notice

To use the product properly and safely,
 thoroughly read the instructions before using it.